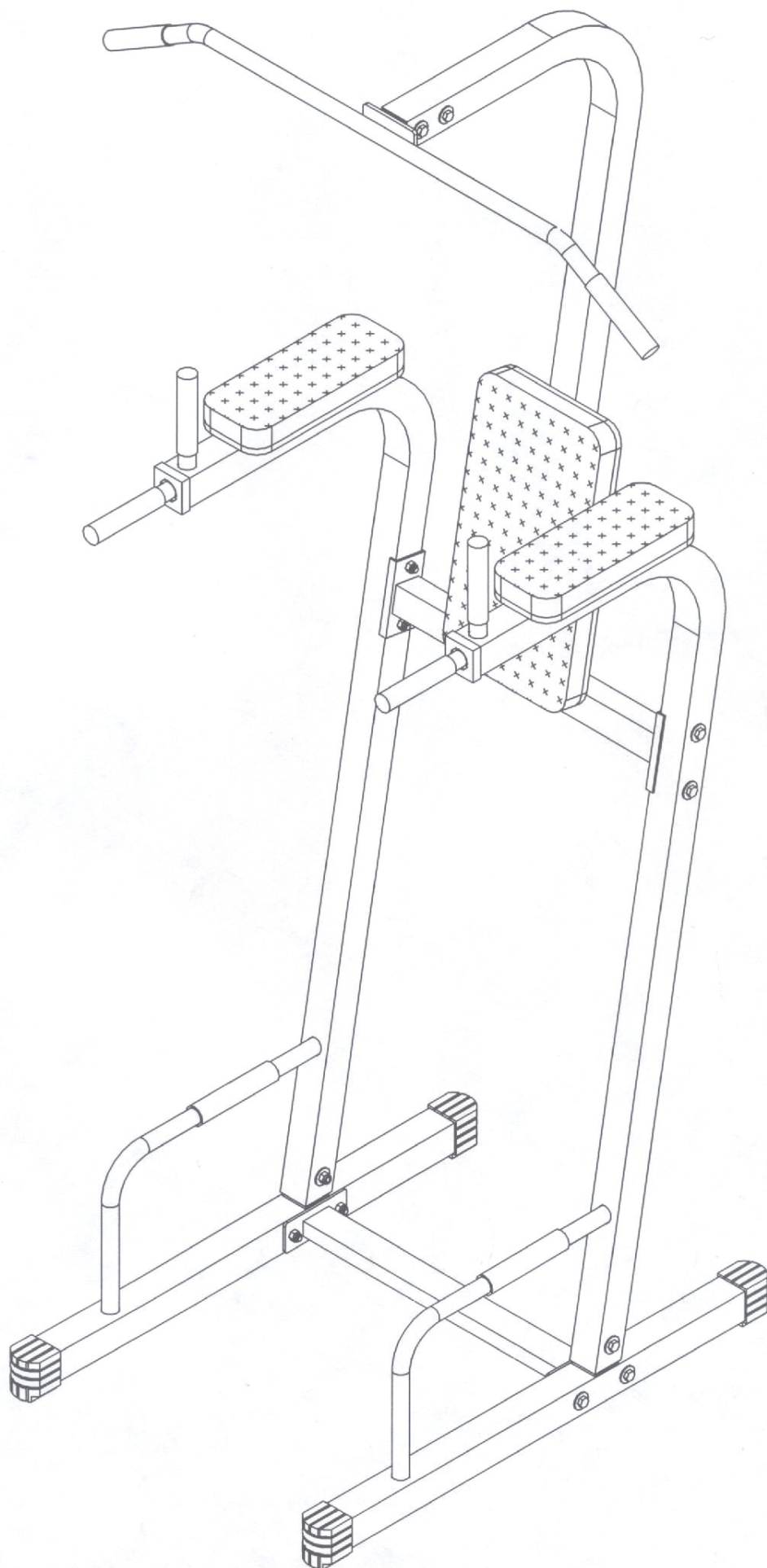









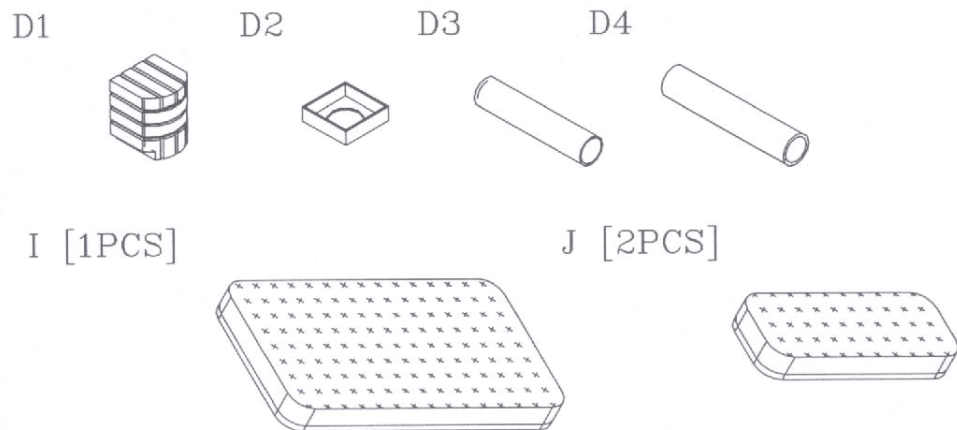
PVKC-83



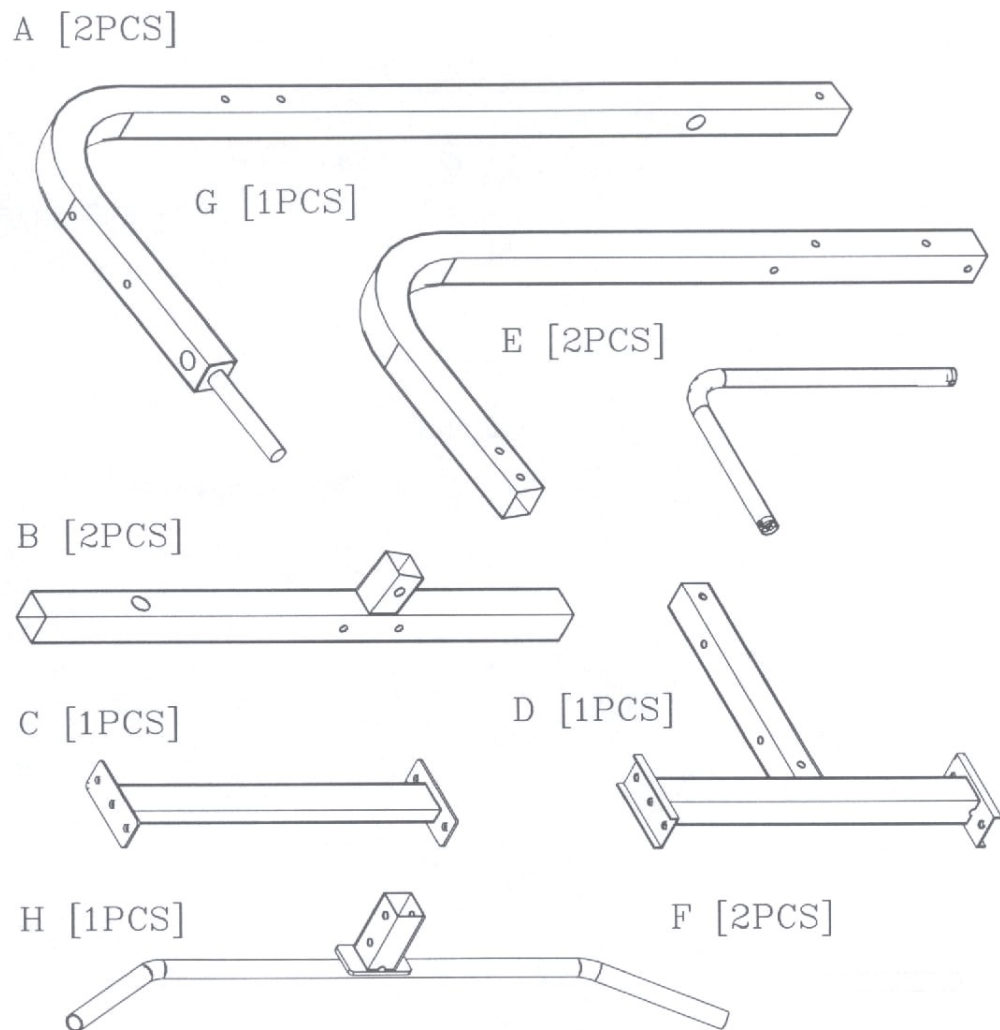
PVKC-83

HARDWARE ILLUSTRATION SHEET

		Qty.
	A1. M10X70 HEX HEAD BOLT	[8PCS]
	A2. M10X65 HEX HEAD BOLT	[6PCS]
	A3. 5/16"X2 3/4" HEX HEAD BOLT	[6PCS]
	B1. M10 LOCK NUT	[14PCS]
	C1. M10 (I.D) WASHER	[20PCS]
	C2. 5/16" (I.D) WASHER	[6PCS]
	C3. 5/16" SPRING WASHER	[6PCS]
	D1. 2"X2" FOOT CAP (E4028)	[4PCS]
	D2. 2"Xø33 END CAP (E4004)	[2PCS]
	D3. ø1"X130L RUBBER GRIP (E4027)	[6PCS]
	D4. ø1"X150L FOAM ROLLER (F4031)	[2PCS]



PARTS ILLUSTRATION SHEET



PVKC-83

